

# PT-400: Technical specifications

## > MAIN KEYS

• Max forward speed	4.6 mph	7,5 km/h	• Ground pressure	4.95 psi	0,35 kg/cm <sup>2</sup>
• Max reverse speed	4.6 mph	7,5 km/h	• Gradeability	100%	
• Gears	5		• Tracks control	Sauer Danfoss Electric Joystick	
• Drawbar pull	61800 lb	27500 daN	• Service hydraulic circuit control	Sauer Danfoss Electric Joystick	
• Operating weight (with 300/U)	47150 lb	21400 kg	• Parking brake	Automatic	

## > DIESEL ENGINE

• Model	Caterpillar C13 Acert		• Torque max	1298 lb-ft	1760 Nm
• Gross Power	385 HP	287 KW	• Fuel rate from	12.5 gal/h	50 l/h
• Rating	2100 rpm	2100 rpm	• Emission	Euromot 3/Tier 3, Stage 3A	
• Displacement	763 in <sup>3</sup>	12,5 l			

## > HYDROSTATIC TRACKS TRANSMISSION

• Pump	Sauer Danfoss	
• Displacement	75 cm <sup>3</sup>	
• Motors	Sauer Danfoss	
• Displacement	110 cm <sup>3</sup>	
• Max pressure	6000 psi	420 bar
• Oil flow	83 gal/min	314 l/min
• Hydraulic Emergency stop		

## > HYDROSTATIC MULCHER TRANSMISSION

• Pump	Sauer Danfoss	
• Displacement	250 cm <sup>3</sup>	
• Motors (with 300/U)	Sauer Danfoss	
• Displacement	130 cm <sup>3</sup>	
• Work pressure	5400 psi	380 bar
• Oil flow	142 gal/min	540 l/min

## > SERVICE HYDRAULIC CIRCUIT

• Pump	Sauer Danfoss		• Max pressure	3000 psi	210 bar
• Displacement	44 cm <sup>3</sup>		• Oil flow	24 gal/min	90 l/min

## > REFILLING

• Hydraulic oil tank	121 gal	460 l
• Fuel tank	145 gal	550 l

## > UNDERCARRIAGE AND TRACKS

• Track chain	Berco	
• Track shoes - double grouser type	32 in	800 mm

## > ELECTRICAL SYSTEM

• Electrical system	24 V with 95-amp alternator		• Master electrical disconnect switch
• Battery	200 Ah-1400 A		

## > ELECTRONIC SYSTEM AND DISPLAY

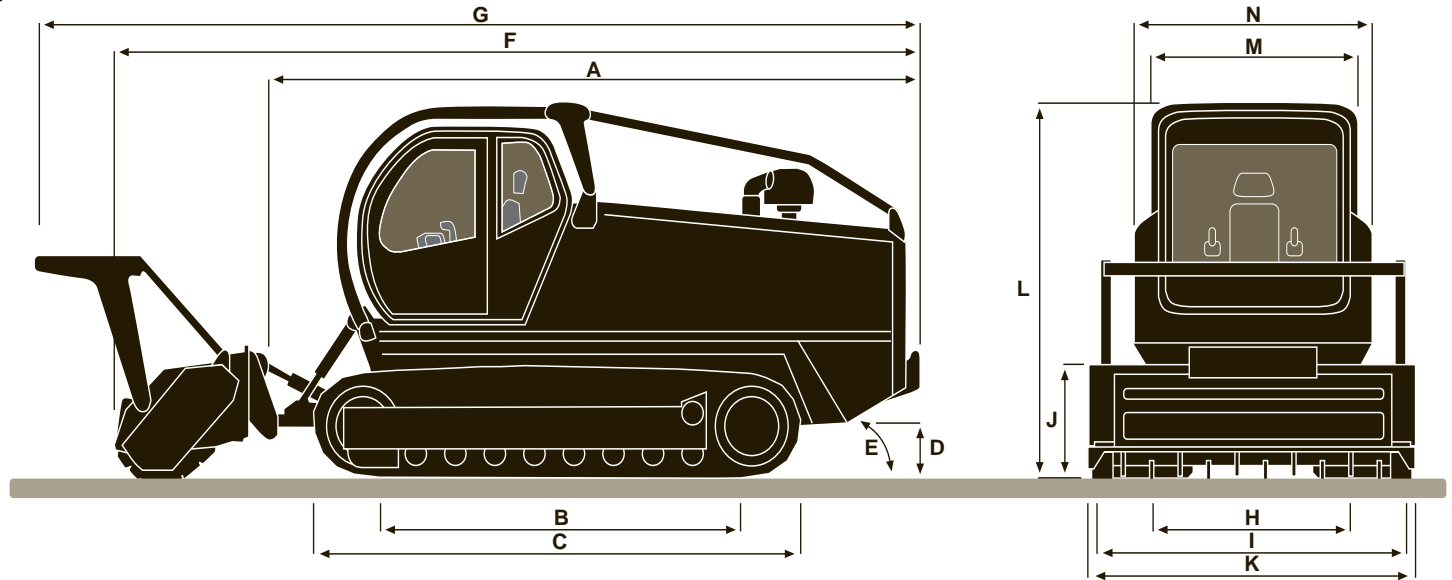
• Software	TSD		• LCD display visualizing:	Work parameters
• Emergency ECM on board				Transmission warnings
• Emergency stop				Engine warnings
• Electronic components' temperature range	-40°F	-40°C		Service data logger
	+185°F	+85°C		Rear view camera
• Display with USB predisposition for service				Autodiagnostic codes

## > CABIN

• ROPS-FOPS approved		• Lighter
• Cab noise (in work phase)	78 dB(A)	• Sun protection curtain
• Emergency cab exit		• Compressed air socket
• Lexan-Margard front, side and rear windows		• Fire extinguisher system
• Front working lights	4	• Fire extinguisher in cab
• Rear working lights	4	• Air conditioning
• Ergonomic working position		• Heating
• Heated seat with pneumatic suspension and head rest		• Front wiper
• Safety belt		• Radio with CD/MP3 player
• Power outlet	12 volt	• Side mirrors
• Power outlet	24 volt	• Rollbar



# PT-400: Dimensions



> SIDE			> FRONT		
<b>A</b> Overall length without mulcher	215 in	5450 mm	<b>H</b> Track gauge	71 in	1800 mm
<b>B</b> Length of track on ground	128 in	3258 mm	<b>I</b> Overall track width (shoes width 800 mm)	102 in	2600 mm
<b>C</b> Overall track length	163 in	4144 mm	<b>J</b> Height of track	39 in	986 mm
<b>D</b> Ground clearance	20 in	500 mm	<b>K</b> Overall width (with 300/U)	108 in	2735 mm
<b>E</b> Hitch angle	30°		<b>K1</b> Working width (with 300/U)	90 in	2270 mm
<b>F</b> Overall length with mulcher on ground	265 in	6750 mm	<b>L</b> Max height	123 in	3120 mm
<b>G</b> Transport length with mulcher on ground	291 in	7400 mm	<b>L1</b> Cab height	116 in	2950 mm
			<b>M</b> Cab width	63 in	1600 mm
			<b>N</b> Frame width	79 in	2000 mm
• Operating weight (with 300/U)			47150 lb	21400 kg	
			• Gross Power	385 HP	287 KW
			• Ground pressure	4.95 psi	0,35 kg/cm <sup>2</sup>

# PT-400: FAE Attachments

> 300/U							
MODEL	300/U-225		300/U-250		MODEL	300/U-225	300/U-250
• Rotor diameter	24 in	600 mm	24 in	600 mm	• Quantity of cutting teeth tungsten carbide type "B"	88+2	102+2
• Overall width	108 in	2735 mm	117 in	2975 mm	• Quantity of cutting teeth tungsten carbide type "C"	50+2	56+2
• Working width	90 in	2270 mm	99 in	2510 mm	• Rotor rpm	1550-1700	
• Weight with options	6812 lbs	3090 kg	7033 lbs	3190 kg	• Hydraulic motor type	Sauer Danfoss 130 cm <sup>3</sup>	
• Max. working depth	4 in	100 mm	4 in	100 mm			
• Grinding diameter (max)	16 in	400 mm	16 in	400 mm			
> 500/U							
MODEL	500/U-225		500/U-250		MODEL	500/U-225	500/U-250
• Rotor diameter	28 in	700 mm	28 in	700 mm	• Quantity of cutting teeth tungsten carbide type "A"	88+2	96+2
• Overall width	110 in	2790 mm	120 in	3030 mm	• Quantity of cutting teeth tungsten carbide type "C"	44+2	48+2
• Working width	90 in	2270 mm	99 in	2510 mm	• Rotor rpm	1250-1500	
• Weight with options	8488 lbs	3850 kg	8929 lbs	4050 kg	• Hydraulic motor type	Bosch-Rexroth 180 cm <sup>3</sup>	
• Max. working depth	6 in	150 mm	6 in	150 mm			
• Grinding diameter (max)	20 in	500 mm	20 in	500 mm			
> 300/S							
MODEL	300/S-225		300/S-250		MODEL	300/S-225	300/S-250
• Rotor diameter	28 in	700 mm	28 in	700 mm	• Grinding diameter	20 in	500 mm
• Overall width	105 in	2650 mm	114 in	2890 mm	• Quantity of cutting teeth tungsten carbide type "A"	88	102
• Working width	90 in	2280 mm	99 in	2520 mm	• Rotor rpm	370-500	
• Weight with options	7822 lbs	3520 kg	8378 lbs	3770 kg	• Hydraulic motor type	Sauer Danfoss 250 cm <sup>3</sup>	
• Max. working depth	16 in	400 mm	16 in	400 mm			

